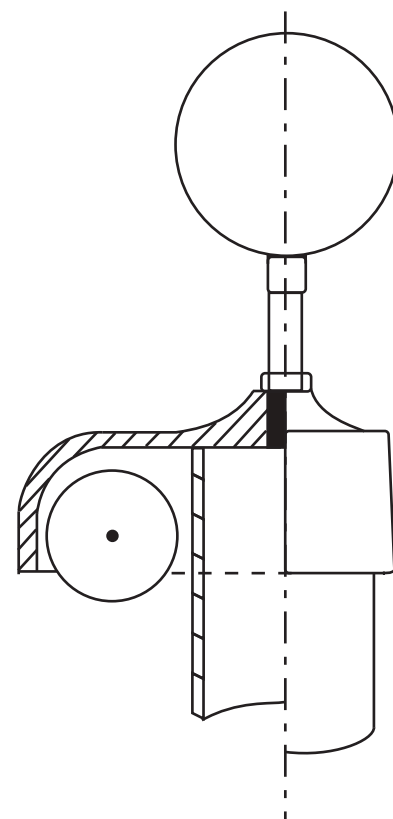
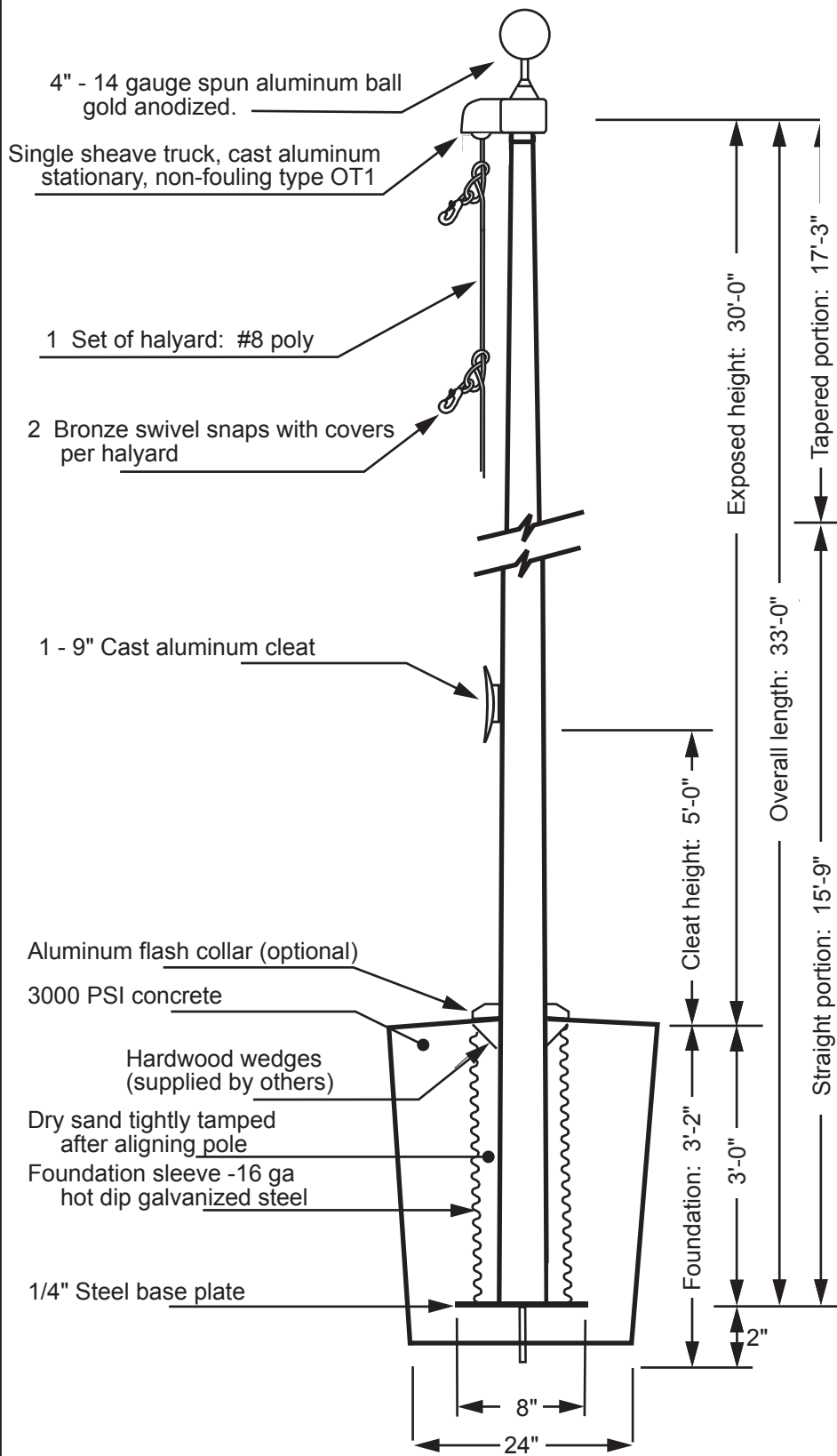


Model ECS30



Stationary Truck Detail
Cast Aluminum body

All shafts with overall length of more than 38'-6" are shipped in two sections.

Each section matched marked for field assembly. Exposed portion of jam sleeve must be **well lubricated** prior to assembly.

1-1/2" maximum shop gap allowed for field fitting (ram for tight joint)



Filename: ECS30 stationary_single sheave_truck.ai

| | | | |
|-------------|---|------------------------|-----------------------|
| Project: | Ground set tapered aluminum flagpole: ALLOY: 6063T6 | EDER FLAG | Date: |
| Location: | Exposed height: 30'-0" | Overall height: 33'-0" | Revision: |
| Architect: | Ship in 1 section | Butt diameter: 4" | 1000 W. Rawson Avenue |
| Contractor: | Top diameter: 2-3/8" | Wall thickness: .125" | Oak Creek, WI 53154 |
| Customer: | Finish: 100 grit polish | | Job: |