

## GROUND SET DIMINISHING SECTION STEEL FLAGPOLES

Diminishing Section Steel Flagpoles are fabricated from all new seamless steel tubing. Diminishing sections, welded together, form a tapered appearance. Sizes below are most commonly used. We can also fabricate other sizes to any specifications.

### EXTERNAL HALYARD STANDARD ACCESSORIES

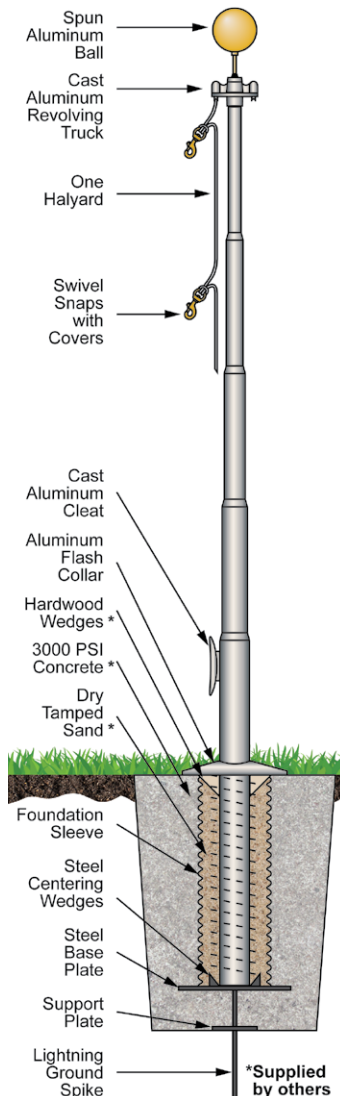
- **Ball:** 14 Ga. Aluminum with flash seam. Gold anodized is furnished unless otherwise specified or choose from Clear Anodized (Silver) or finished to match shaft.
- **Truck:** External halyard heavy duty, non-fouling, revolving with stainless steel sealed lubricant ball bearing assemblies.
- **Halyard:** One waterproof, mildew and U.V.-resistant nylon halyard with wire center. Choose: White, Silver, Black or Brown to match shaft.
- **Cleat:** Heavy-duty cast aluminum finished to match shaft. Secured with two stainless steel, flat-head, tamper-proof machine screws.
- **Collar:** Ornamental base or flash collar of spun aluminum with a diameter of at least 1" larger than the foundation sleeve.
- **Foundation Sleeve:** 16 Ga. Corrugated steel tubing with lightning spike, base plate, support plate and centering wedges.

### INTERNAL HALYARD STANDARD ACCESSORIES

- **Ball (optional):** 14 Ga. Aluminum with flash seam. Gold anodized is furnished unless otherwise specified or choose from Clear Anodized (Silver) or finished to match shaft.
- **Truck:** Internal halyard heavy duty, revolving with enclosed stainless steel bearings and raceway.
- **Halyard:** One stainless steel aircraft cable with proper size flag arrangement, shock spring, counterweight, beaded retainer ring and flag snaps.
- **Winch:** Mounted inside shaft and operable only by a removable crank handle. Permits rapid raising and lowering of flag with little effort.
- **Collar:** Ornamental base or flash collar of spun aluminum with a diameter of at least 1" larger than the foundation sleeve.
- **Foundation Sleeve:** 16 Ga. Corrugated steel tubing with lightning spike, base plate, support plate and centering wedges.

**Recommendation:** flagpoles above 100' exposed height should be equipped with an internal halyard to aid in raising and lowering larger flags.

### EXTERNAL HALYARD



**Finish:** All of our steel flagpoles are mechanically cleaned and chemically etched to provide a smooth surface. Two coats of two-part polyurethane primer are applied before application of two polyurethane finish coats. Specify custom or one of these standard colors: Aluminum (silver), Light Bronze, Medium Bronze, Dark Bronze, Black or White. Trucks are finished to match flagpole shaft.

EXPOSED HEIGHT	OVERALL LENGTH	# OF SECTIONS	BUTT DIA.	TOP DIA.	WALL	FIELD WELDS	UNFLAGGED MAX. WIND SPEED	FLAGGED MAX. WIND SPEED	MAXIMUM SUGGESTED FLAG SIZE	SHIPPING WEIGHT
90'	99'	5	10.75"	4.5"	.375	2	100+ MPH	78 MPH	25' x 40'	2700 lbs.
100'	110'	5	12.75"	5.563"	.375	2	100+ MPH	88 MPH	30' x 50'	3900 lbs.
110'	121'	5	14"	6.625"	.375	2	100+ MPH	87 MPH	30' x 50'	4100 lbs.
120'	132'	6	14"	6.625"	.375	3	100+ MPH	85 MPH	30' x 50'	4900 lbs.
130'	143'	6	18"	6.625"	.375	3	100+ MPH	88 MPH	30' x 50'	6400 lbs.

### EXTERNAL HALYARD PRICING

MODEL	1-2	3-6	7+
EST90	Call for pricing.		
EST100			
EST110			
EST120			
EST130			

### INTERNAL HALYARD PRICING

MODEL	1-2	3-6	7+
EST90IH	Call for pricing.		
EST100IH			
EST110IH			
EST120IH			
EST130IH			

### EXTERNAL HALYARD ITEM NUMBERS

MODEL	SILVER ITEM #	LT. BRONZE ITEM #	MED. BRONZE ITEM #	DK. BRONZE ITEM #	BLACK ITEM #	WHITE ITEM #
EST90	322638	322663	322643	322648	322653	322658
EST100	322639	322664	322644	322649	322654	322659
EST110	322640	322665	322645	322650	322655	322660
EST120	322641	322666	322646	322651	322656	322661
EST130	322642	322667	322647	322652	322657	322662

### INTERNAL HALYARD ITEM NUMBERS

MODEL	SILVER ITEM #	LT. BRONZE ITEM #	MED. BRONZE ITEM #	DK. BRONZE ITEM #	BLACK ITEM #	WHITE ITEM #
EST90IH	322668	322693	322673	322678	322683	322688
EST100IH	322669	322694	322674	322679	322684	322689
EST110IH	322670	322695	322675	322680	322685	322690
EST120IH	322671	322696	322676	322681	322686	322691
EST130IH	322672	322697	322677	322682	322687	322692