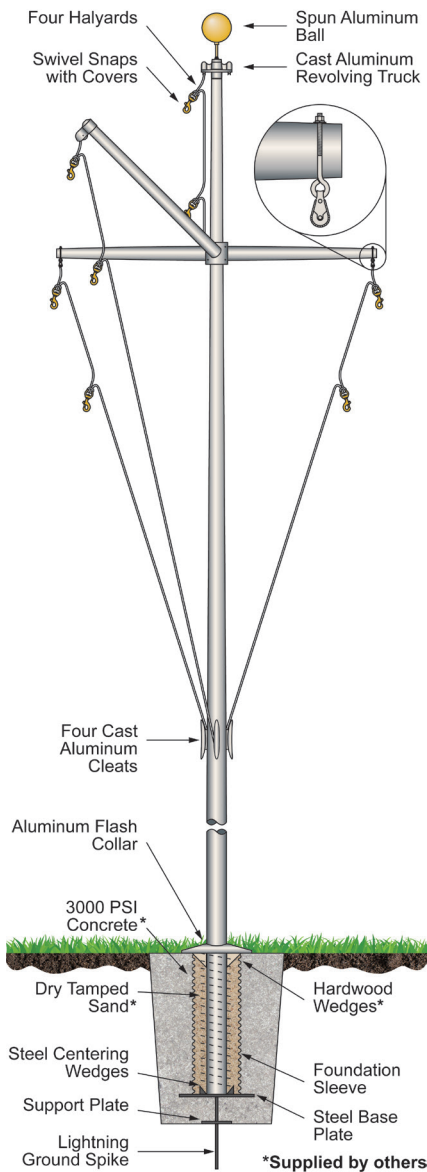


SINGLE MAST NAUTICAL SERIES WITH YARDARM & GAFF

External Halyard Ground Set Cone Tapered Aluminum Flagpoles



STANDARD ACCESSORIES

- Gold anodized aluminum ball ornament
- Cast aluminum revolving truck w/pulley
- Aluminum yardarm & gaff with pulleys & mounting hardware
- 4 lengths of solid braided polypropylene halyard
- Swivel flag snaps w/vinyl snap covers
- 4 cast aluminum cleats with mounting screws
- Spun aluminum flash collar
- Galvanized steel foundation sleeve



MODEL	EXP. HEIGHT	OVERALL LENGTH	# OF SECTIONS	BUTT DIA.	TOP DIA.	WALL	YARDARM LENGTH [♦]	GAFF [■] LENGTH	SHIPPING WEIGHT
ECXP20-YG	20'	23'	1	5"	3"	.125	6'	5'	185 lbs.
ECP20-YG	20'	23'	1	5"	3"	.188	6'	5'	203 lbs.
ECXP25-YG	25'	27'	1	5"	3"	.125	6-1/2'	5-1/2'	217 lbs.
ECXAP25-YG	25'	27'	1	5"	3"	.156	6-1/2'	5-1/2'	217 lbs.
ECP25-YG	25'	27'	1	6"	3-1/2"	.188	6-1/2'	5-1/2'	263 lbs.
ECXP30-YG	30'	33'	1 or 2*	5"	3"	.125	8-1/2'	6-1/2'	227 lbs.
ECXAP30-YG	30'	33'	1 or 2*	5"	3"	.156	8-1/2'	6-1/2'	235 lbs.
ECAP30-YG	30'	33'	1 or 2*	6"	3-1/2"	.156	8-1/2'	6-1/2'	279 lbs.
ECP30-YG	30'	33'	1 or 2*	6"	3-1/2"	.188	8-1/2'	6-1/2'	290 lbs.
ECSAP35-YG	35'	38-1/2'	1	5"	3"	.188	9-1/2'	7-1/2'	289 lbs.
ECXP35-YG	35'	38-1/2'	1 or 2*	6"	3-1/2"	.156	9-1/2'	7-1/2'	307 lbs.
ECAP35-YG	35'	38-1/2'	1 or 2*	7"	3-1/2"	.156	9-1/2'	7-1/2'	336 lbs.
ECP35-YG	35'	38-1/2'	1 or 2*	7"	3-1/2"	.188	9-1/2'	7-1/2'	356 lbs.
ECXP40-YG	40'	44'	2**	7"	3-1/2"	.156	11'	9'	366 lbs.
ECAP40-YG	40'	44'	2**	8"	3-1/2"	.156	11'	9'	377 lbs.
ECP40-YG	40'	44'	2**	8"	3-1/2"	.188	11'	9'	403 lbs.
ECP45-YG	45'	49-1/2'	2**	8"	3-1/2"	.188	11'	9'	455 lbs.
ECXP50-YG	50'	55'	3**	8"	3-1/2"	.188	13'	10'	533 lbs.
ECP50-YG	50'	55'	3**	10"	4"	.188	13'	10'	613 lbs.
ECXP60-YG	60'	66'	3**	10"	4"	.188	14'	12'	785 lbs.
ECXAP60-YG	60'	66'	3**	10"	4"	.250	14'	12'	872 lbs.
ECP60-YG	60'	66'	3**	12"	4"	.250	14'	12'	956 lbs.
ECXP70-YG	70'	77'	3**	10"	4"	.312	16'	13'	1162 lbs.
ECP70-YG	70'	77'	3**	12"	4"	.250	16'	13'	1103 lbs.
ECP80-YG	80'	88'	3**	12"	4"	.375	18'	14'	1499 lbs.

♦ Yardarm Center diameter is 3-1/2", End diameter is 2" | ■ Gaff Butt diameter is 3-1/2", Top diameter is 2"

* Flagpole models available in both one and two section styles; please specify when placing your order. Single section pole(s) will be shipped if not specified. **Add 10% to the pricing for two section style flagpoles.**

** Flagpole models available in multi-piece pole(s) only.

YARDARM & GAFF ASSEMBLY DETAIL

